



NANYANG TECHNOLOGICAL UNIVERSITY
NTU ANGLERS' CLUB
c/o Student Affairs Office
Nanyang Avenue
Singapore 639798
Tel: 67905153 Fax: 67931231



RULES AND REGULATIONS OF THE PLUG CASTING COMPETITION

The competition will be divided into two segments, the Single-Handed Plug Casting Accuracy and the Single-Handed Plug Casting Distance. Details for as follows:

Single-Handed Plug Casting Accuracy

Refer to Annex 2.

Single-Handed Plug Casting Distance

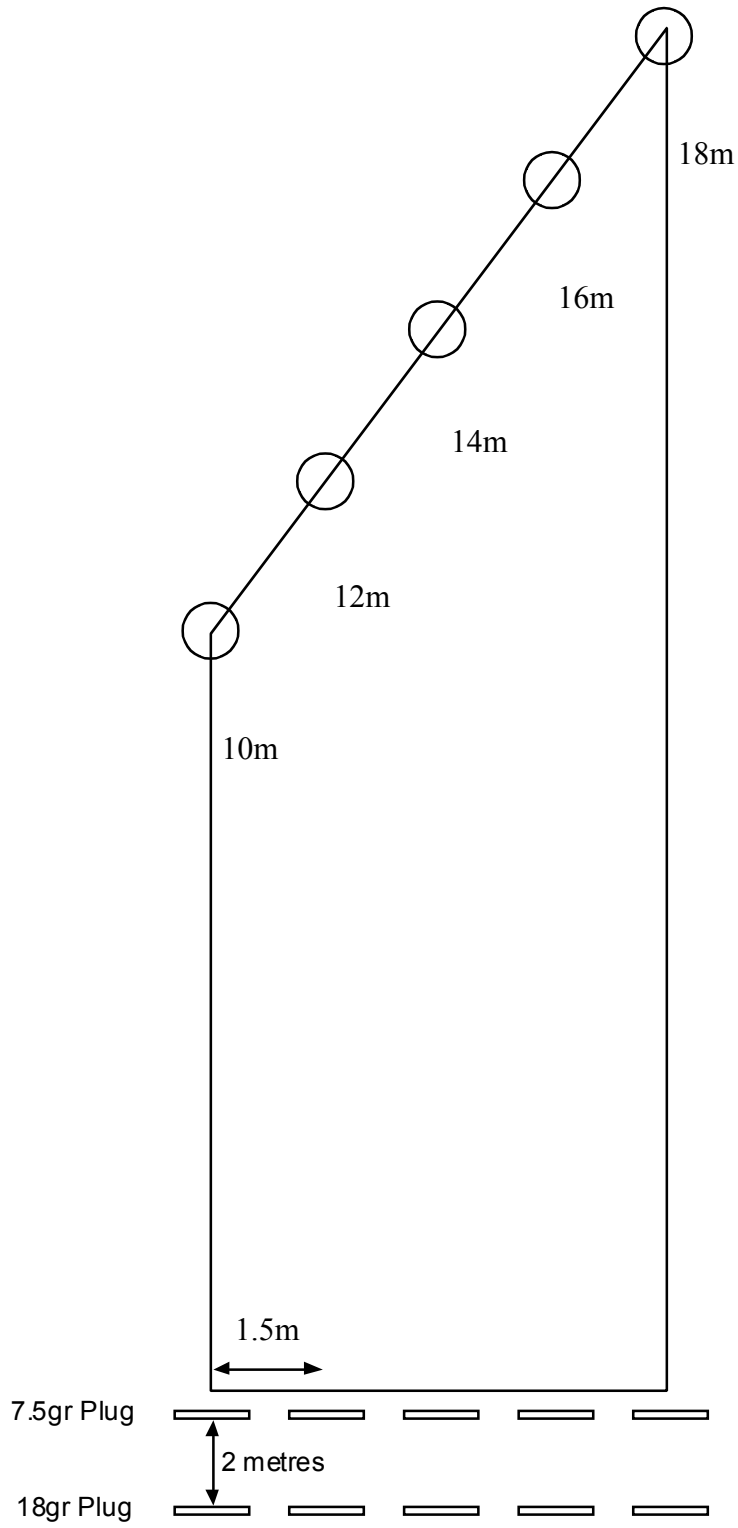
Refer to Annex 3.

New/Changes To Last Year's Rules

Refer to Annex 4

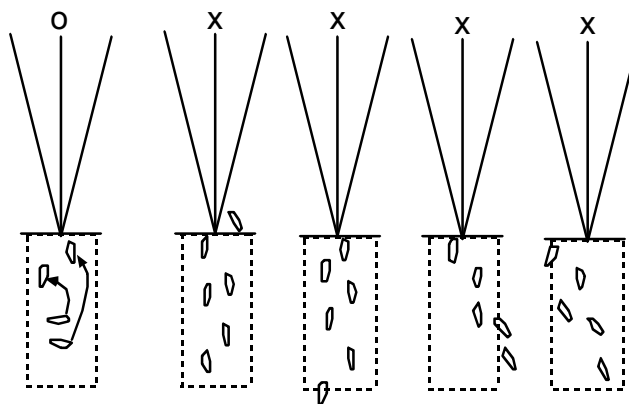
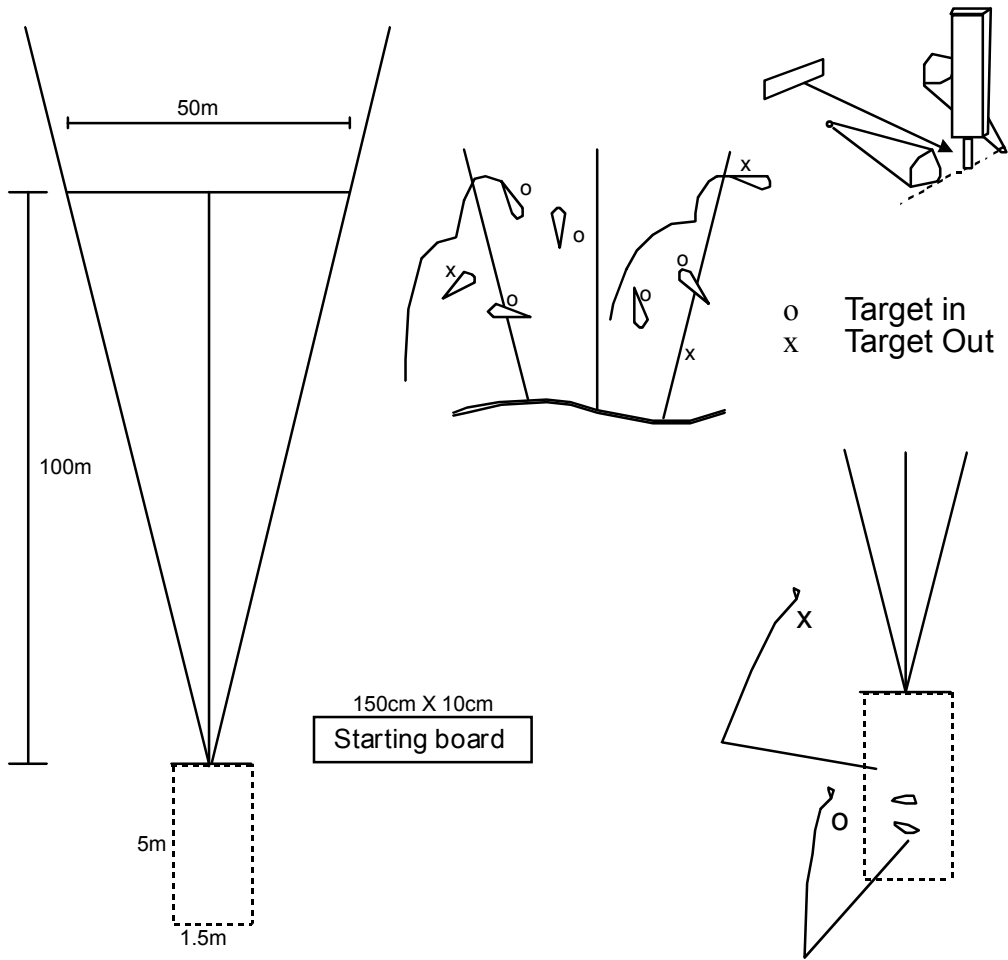
Single-Handed Plug Casting Accuracy

- Rod : Any single handed rod including line through the blank, minimum length 1.37 meters, maximum length 2.50 meters, at least 3 rod rings and a tip ring. Handle not to exceed 1/4 of rod length.
- Reel : Open-faced spinning reel with standard spool or Multiplying reel with standard spool. (Reels with changed gear are allowed.)
- Line : Unrestricted, but the same diameters in the whole length. Minimum length 22 meters.
- Plug : 7.5 gr. plastic, drop-shaped. Excluding eye 53.0 mm plus/minus 0.3 mm. Diameters of the head 18.5 mm plus/minus 0.3 mm. Weight of the plug 7.5 gr., plus/minus 0.15gr including eye. Color white or 18 gr. plastic, drop-shaped. Length excluding eye 68 mm plus/minus 0.3 mm.
- Targets: 5 inclined discs, diameters 0.76 meters, maximum thickness 10mm. Color, yellow Foremost edge 5 cm above ground and the backrest edge 17 cm above the ground.
- Court : 5 casting stations, for 7.5gr plug beginning from the left shortest distance 10 meters to center of target, then increasing to the last target at right 18 meters to center of target. Disc no. 2, 3 and 4 placed on a straight line between 1 and 5. Starting boards as for event no. 3. Discs to be placed and distance measured on the perpendicular from the middle of each starting board. Distance between middle of starting boards 1.50 meters. For 18gr plug beginning from the left shortest distance 12 meters to centre of target, increasing to the last target at the right 20 meters to centre of target.
- Casting: From each of the 5 casting stations to one target from each, casting two casts from each station. The caster goes through to court twice. In all 20 casts. Casting style free, catapult cast prohibited.
- Time : Time limit 8 minutes in all, moving between stations included.
- Score : All hits score 5 points each. Maximum score 100 point.



Single-Handed Plug Casting Distance

- Rod : Any single handed rod including line through the blank, minimum length 1.37 meters, maximum length 2.50 meters, at least 3 rod rings and a tip ring. Handle not to exceed 1/4 of rod length.
- Reel : Open-faced spinning reel with standard spool or Multiplying reel with standard spool. (Reels with changed gear are allowed.)
- Line : For 7.5gr. Plug Minimum diameters 0.18 mm, no minus tolerance allowed, but with the same diameters in the whole length. Leader prohibited. For 18gr. Plug Minimum diameters 0.25 mm, no minus tolerance allowed, but with the same diameters in the whole length. Leader minimum diameters 0.35 mm, no minus tolerance allowed. Minimum length of the leader, at least one complete turn on the reel when ready to cast. (Only monofilament allowed, Braided line e.g. FireLine, Micron, SpiderWire prohibited.)
- Plug : 7.5 gr. plastic, drop-shaped. Excluding eye 53.0 mm plus/minus 0.3 mm. Diameters of the head 18.5 mm plus/minus 0.3 mm. Weight of the plug 7.5 gr., plus/minus 0.15gr including eye. Color white or 18 gr. plastic, drop-shaped. Length excluding eye 68 mm plus/minus 0.3 mm.
- Court : At 100 meters distance, the court is 50 meters wide, measured at a right angle to the perpendicular axis from the center of the platform. Starting board, 1 .50 meters long and 10 cm high. Color, white. Must keep BOTH feet inside this area during casting. Refer to illustration below.
- Casting: Each caster to have 3 casts, one in each round in numerical order. In the event of break away Plug, the caster is allow to change to the balance issued Plug. (e.g. If the caster first cast plug breakaway while using a 18gr. Plug, they can only use the stinted issued balance 7.5 gr. Plug for the second and third cast.)
- Time : Every cast must, after the court is declared free by the starter, be delivered within 60 seconds. Total time for the three cast 3 minutes. (The break away Plug changing timing is also included in the 3 minutes.)
- Score : All Longest cast to win. 1 meter = 1.5 points.



Must keep BOTH feet inside this area during casting.

New Regulations Or Changes To Last Year's Rules

1. At any point of time, the plug should be behind the starting line. (regardless the style of cast)
2. The competitor should cast from within the given perimeter (a box will be drawn)
3. There are a total of 3 tries and all the distance will be added up and averaged by 3.
4. For distance casting, there is a time limit of 5mins in total.

Correct as of 08/12/2005

Rules and regulations subjected to change. If any changes arise, we would update all the participants.